



ComTroll® 333 RTU

Remote Terminal Unit with built-in GSM communication Module

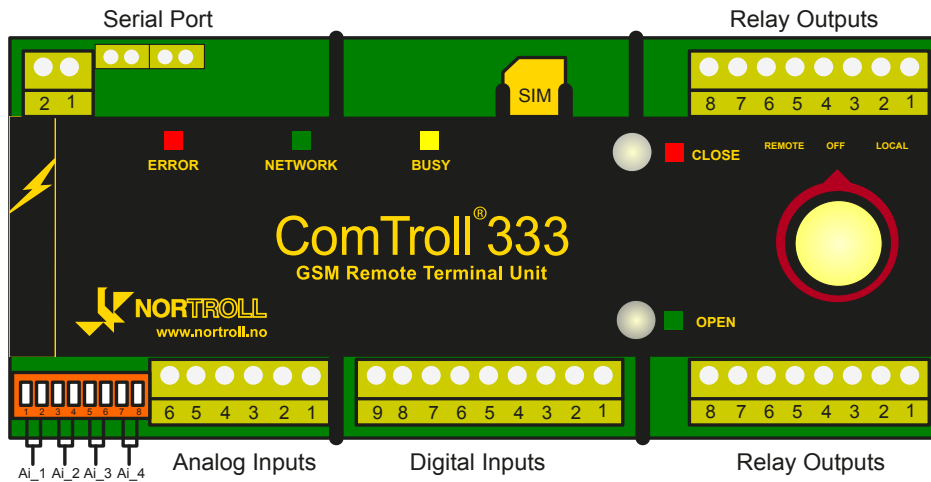
ComTroll® 330 Remote Terminal Unit is designed for remote control and monitoring of overhead line– and cable switchgear in the MV distribution network. It is also suitable as a general communication interface to other applications for fault detection and management such as earth-fault and short-circuit indicators and line protection equipment.

ComTroll® 333 communicates with the SCADA system through a router using GSM Data (CSD) or SMS.

NorTroll offers a complete SCADA solution with a NetTroll MicroScada Plug-in module for configuration, control and monitoring of the ComTroll® 333 Terminals.

Features

- Communicates with SMS messages or GSM Data
- Easy installation and configuration
- Remote and local operation
- 8 opto isolated inputs
- 8 NO relay outputs
- 4 analog inputs
- Low Battery Detection
- Suitable for solar panel charging
- EIA485 serial port.



Functional Description

ComTroll®333 RTU's primary function is to monitor and control overhead line and cable switch-gears. It reports any alarm to a central control system by sending a SMS text message or by a GSM Data (CSD) connection.

Alarms can be set up by the user to either use SMS or GSM Data. If the GSM Data connection fails, the alarm is resent three times. If the GSM Data connection still fails an SMS is sent to secure that any alarm or event is received by the central unit.

During the design of this product, NorTroll has put all efforts into making an RTU with lowest possible current consumption and the widest temperature range, allowing the unit to work for a long period during loss of charging. It is designed to facilitate solar panel charging and for operation in the most demanding climatic environment.

Technical Specifications



Application:	Remote Terminal Unit with GSM communication
GSM Module:	Wavecom Q64 QuadBand
Control– and Monitoring:	NetTroll MicroSCADA system with ComTroll 120 GSM-LON Router.
Inputs:	Open and close status from the end contacts of the switchgear. 6 general opto isolated digital inputs. 4 analog inputs (0-10V or 4-20mA). Max Input Voltage: 50Vdc
Outputs	Open and close of the switchgear. (Operated remotely or locally) 6 general NO relays. Nom Contact Ratings: 1A, 200Vdcmax
Power supply:	12Vdc (10V—15V)
Power Consumption:	8mA in idle. 80mA when active connection (vary upon signal quality)
Type test:	EN 1000-4-2, EN 1000-4-3 ROHS compliant
Mounting:	Snap-on DIN-rail
Temp:	-25 to + 70 deg Centigrades operational.
Dimension:	160 x 90 x 80 mm

Ordering Information

Product nr: 02-0333-01 ComTroll 333 RTU Kit
(Includes external antenna)

Related products:

Product nr: 02-0120-00 ComTroll 120 GLR Router Kit for NetTroll.

Product nr: 15-7540-51 NetTroll 4.1 MicroSCADA Software

Product nr: 15-7500-04 NetAlert 3.5 SMS-Alarm Module w/ GSM modem

Product nr: 15-7500-40 NetTroll SCADA Gateway

About Nortroll AS

Since the foundation in 1976, Nortroll AS has devoted its activities to the development of equipment aiming to reduce electric utilities outage times. We offers a wide range of products for fault detection and remote operation in the MV Distribution Network.



www.rm-bh.com

ComTroll®

DS CmT 333 RTU

